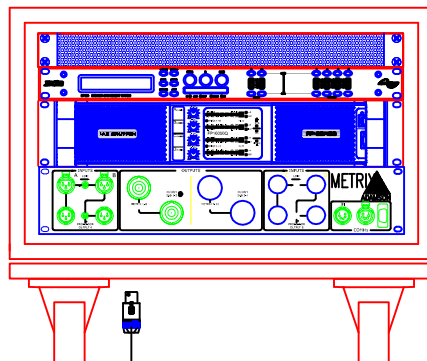
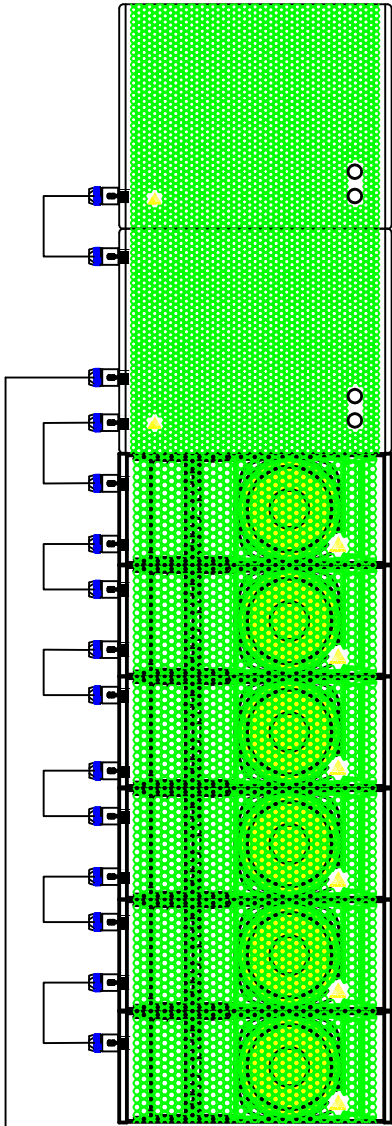


CHANGE	
DATE: 2008-12-10	DRN: J.S.
SCALE: NTS	APPV'D:
DISK:	FILE:
PROJECT: System Configurations (fp+)	
DRAWING: 6 Metrix, 2 Subs (flown)	
Plot: 1/2 (System)	Issue: 1



ADAMSON SYSTEMS ENGINEERING
 1401 Scugog Line 6
 Port Perry, ONTARIO, L9L 1B2
 TEL:(905)982-0520 FAX:(905)982-0609



CHANGE

DATE: 2008-12-10	DRN: J.S.
SCALE: NTS	APPV'D:
DISK:	FILE:
PROJECT: System Configurations (fp+)	
DRAWING: 6 Metrix, 2 Subs (flown)	



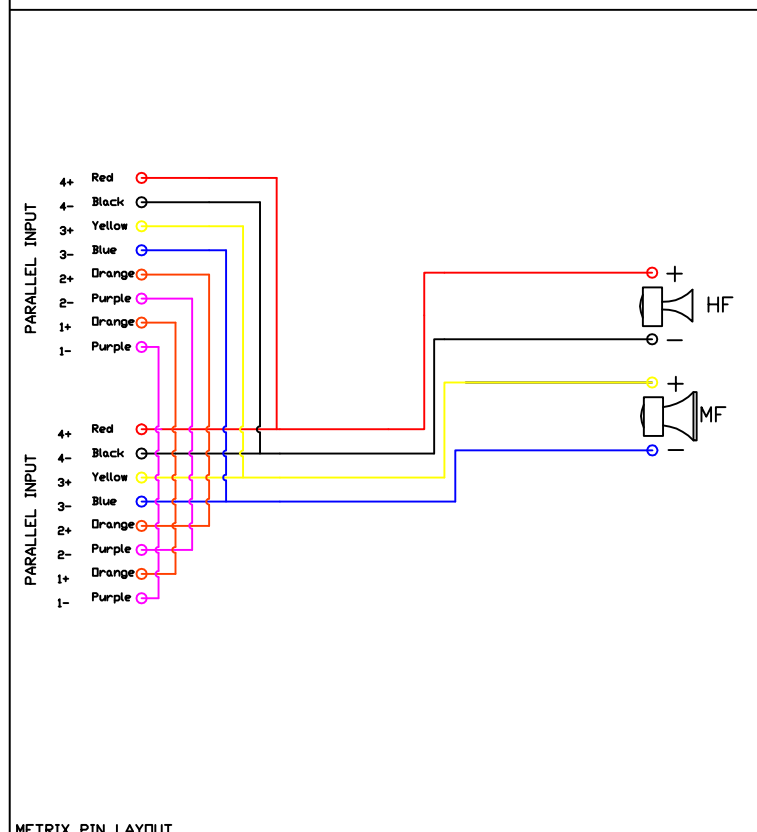
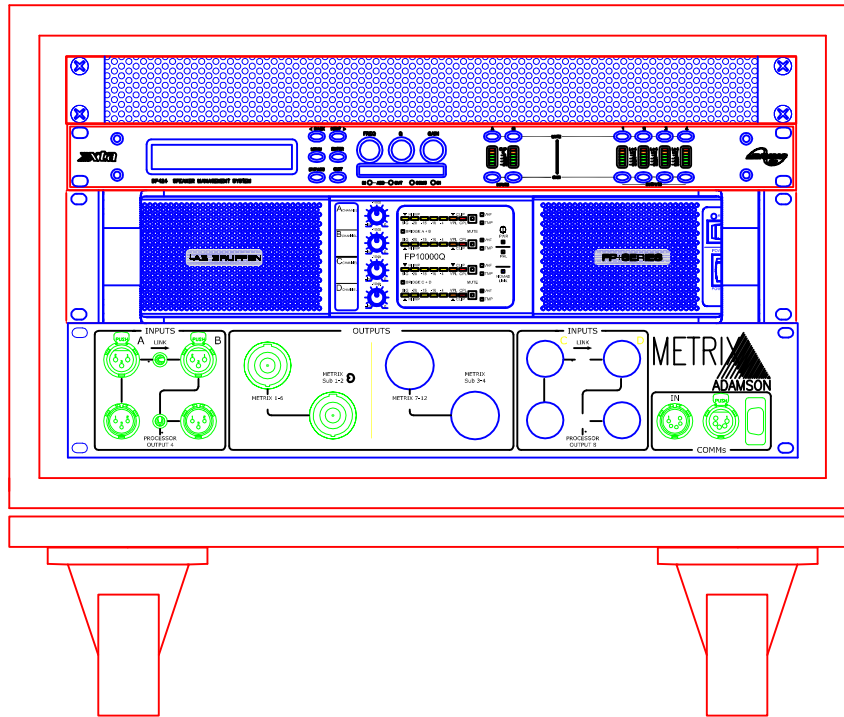
ADAMSON SYSTEMS ENGINEERING
1401 Scugog Line 6
Port Perry, ONTARIO, L9L 1B2
TEL:(905)982-0520 FAX:(905)982-0609

XTA DP424	OUT 1 LOW	OUT 2 HIGH	OUT 3 SUB
fp10000Q			
Amp 1	CH A	CH B	CH C / CH D

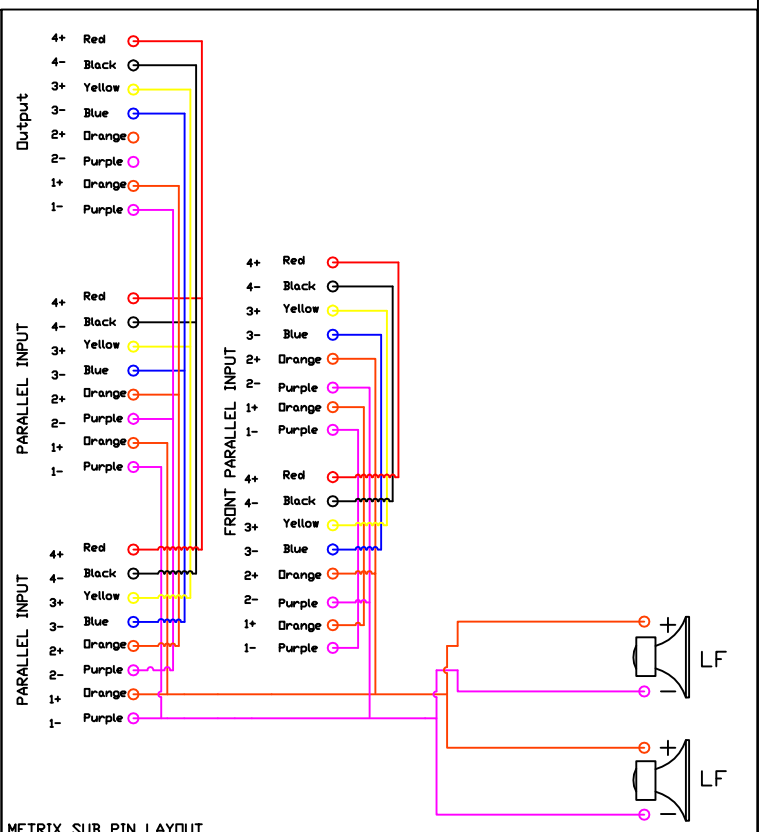
Gain=29dB VPL 141V
Note: To operate Metrix Subs in cardioid mode one additional channel of XTA 4 series output processing is required, e.g. channel 4 of this unit.

Plot: 2/2 (Amp Rack)

Issue: 1



METRIX MAIN PIN LAYOUT



METRIX SUB PIN LAYOUT