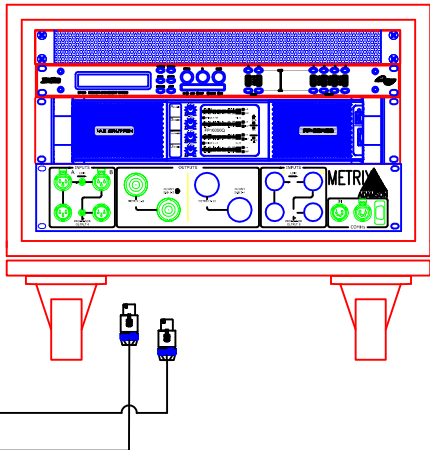
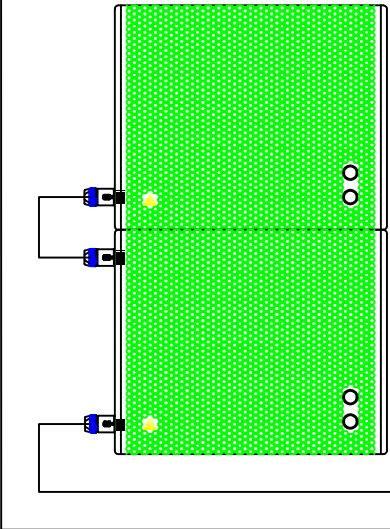
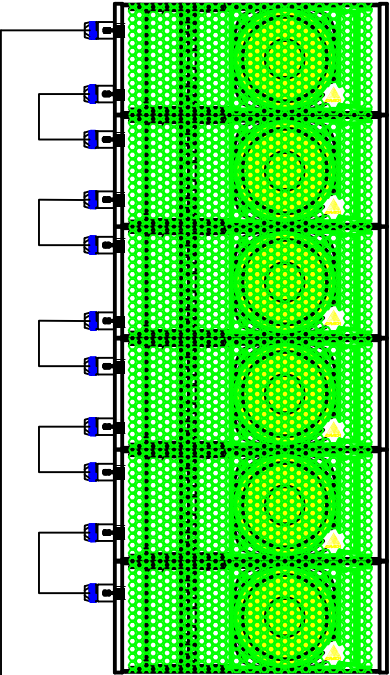


CHANGE	
DATE: 2008-12-10	DRN: J.S.
SCALE: NTS	APPV'D:
DISK:	FILE:
PROJECT: System Configurations (fp+)	
DRAWING: 6 Metrix, 2 Subs (stack)	
Plot: 1/2 (System)	Issue: 1



ADAMSON SYSTEMS ENGINEERING  
1401 Scugog Line 6  
Port Perry, ONTARIO, L9L 1B2  
TEL:(905)982-0520 FAX:(905)982-0609



CHANGE

DATE: 2008-12-10	DRN: J.S.
SCALE: NTS	APPV'D:
DISK:	FILE:
PROJECT: System Configurations (fp+)	
DRAWING: 6 Metrix, 2 Subs (stack)	



ADAMSON SYSTEMS ENGINEERING  
1401 Scugog Line 6  
Port Perry, ONTARIO, L9L 1B2  
TEL:(905)982-0520 FAX:(905)982-0609

XTA DP424	OUT 1 LOW	OUT 2 HIGH	OUT 3 SUB
fp10000Q			
<b>Amp 1</b>	<b>CH A</b>	<b>CH B</b>	<b>CH C / CH D</b>
Gain=29dB VPL 141V			

Note: To operate Metrix Subs in cardioid mode one additional channel of XTA 4 series output processing is required, e.g. channel 4 of this unit.

Plot: 2/2 (Amp Rack) Issue: 1

