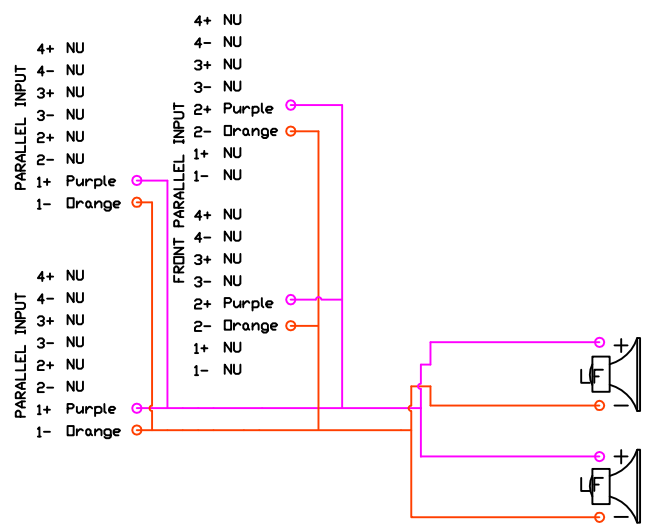
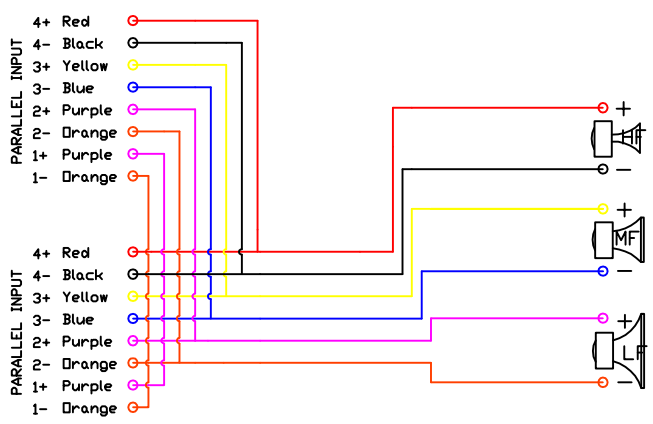
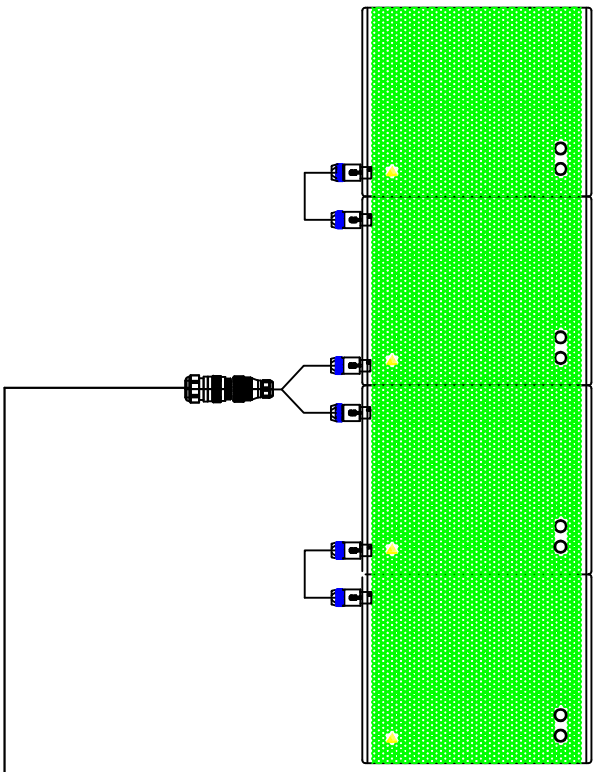
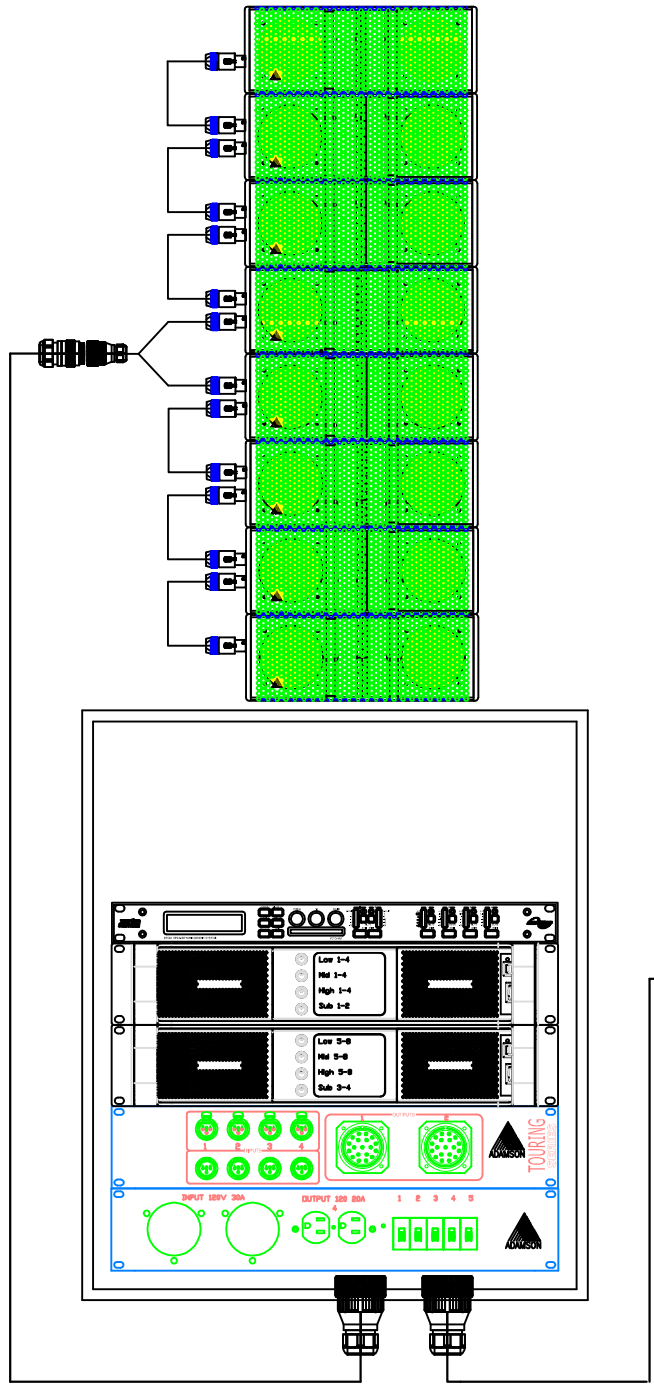
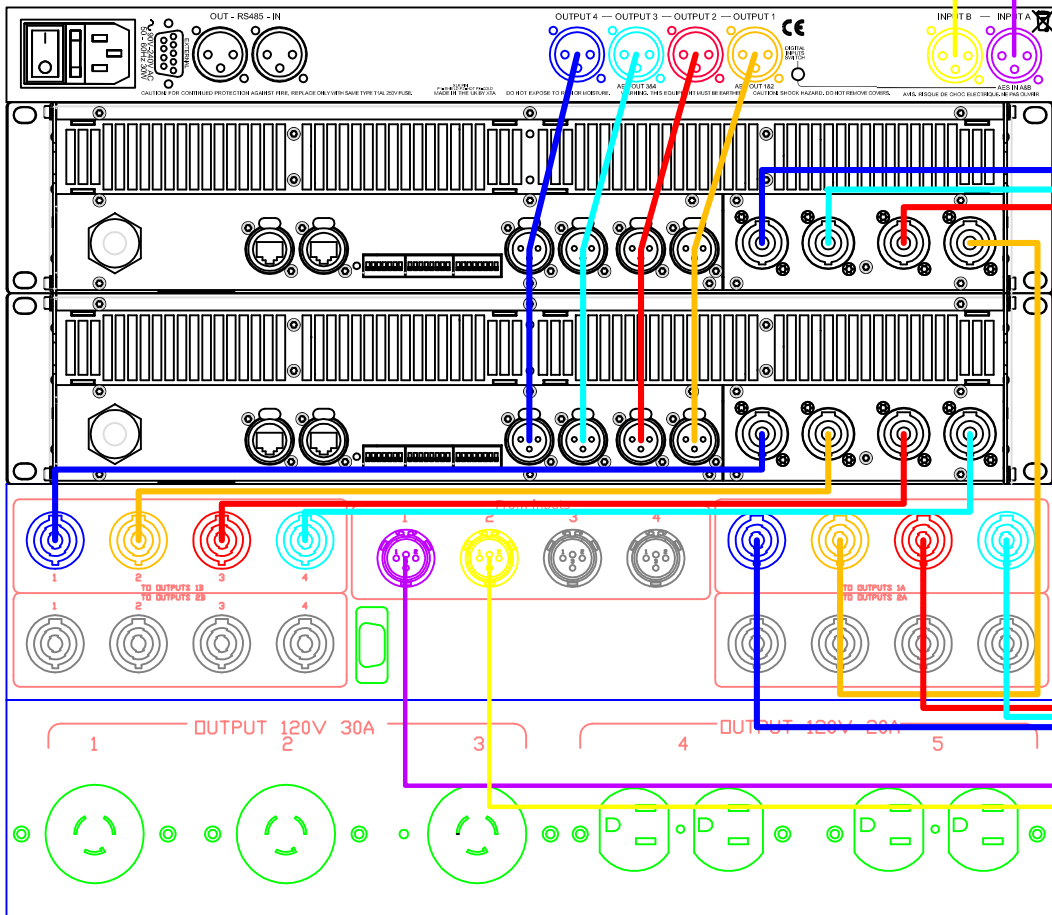


CHANGE	
DATE: March 20/2006	DRN: Ben
SCALE:	APPV'D:
DISK:	FILE:
PROJECT: Adamson Configuration	
DRAWING: 8 X Spek & 4 X Sub/soca	
Dwg #:	Issue: 1





DATE	CHANGE	Legend
DATE: March 3/2007	DRN: Jeff	High
SCALE:	APPVD:	Mid
DISK:	FILE:	Low
PROJECT:		Sub
8 X Spek & 4 X Sub/NL8		XTA Input 1
DRAWING:		XTA Input 2
AID Configuration		
Dwg # Issue: 1		

