
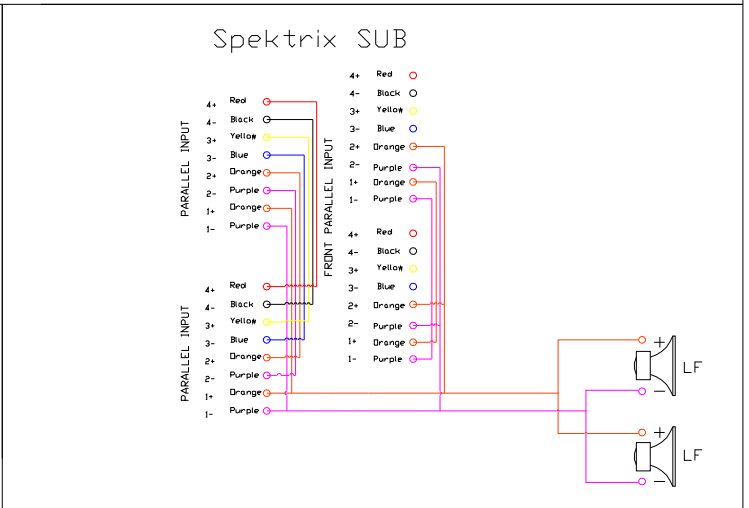
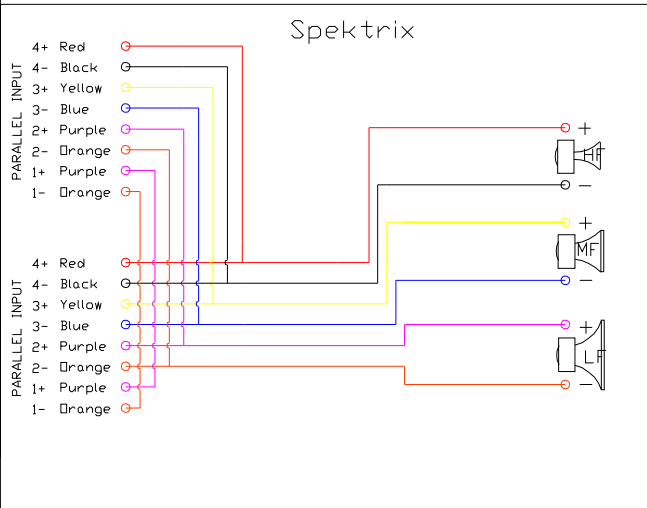
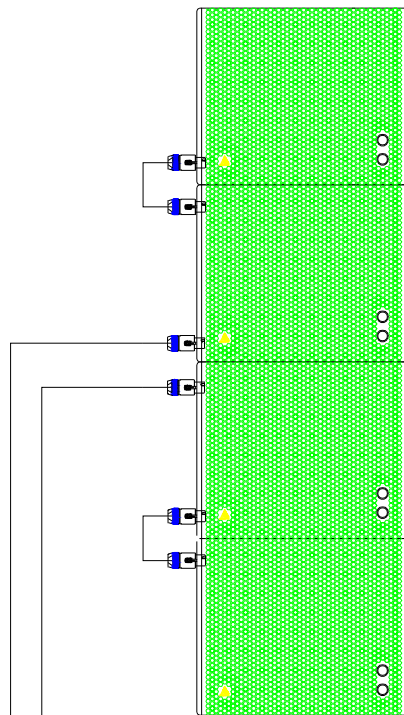
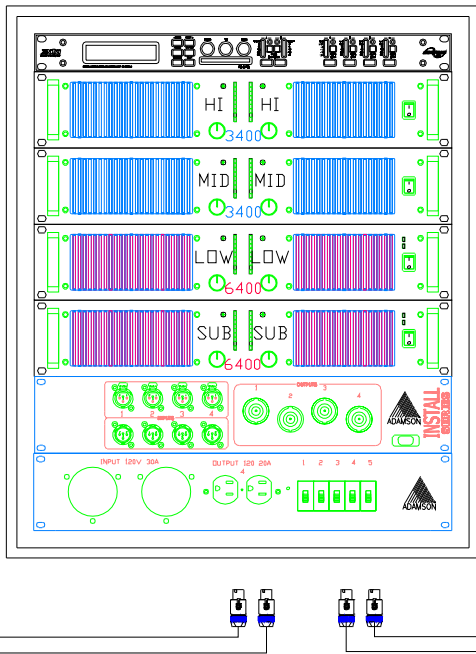
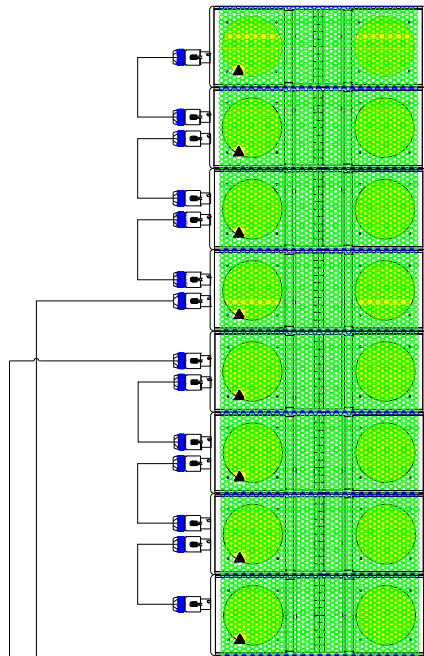
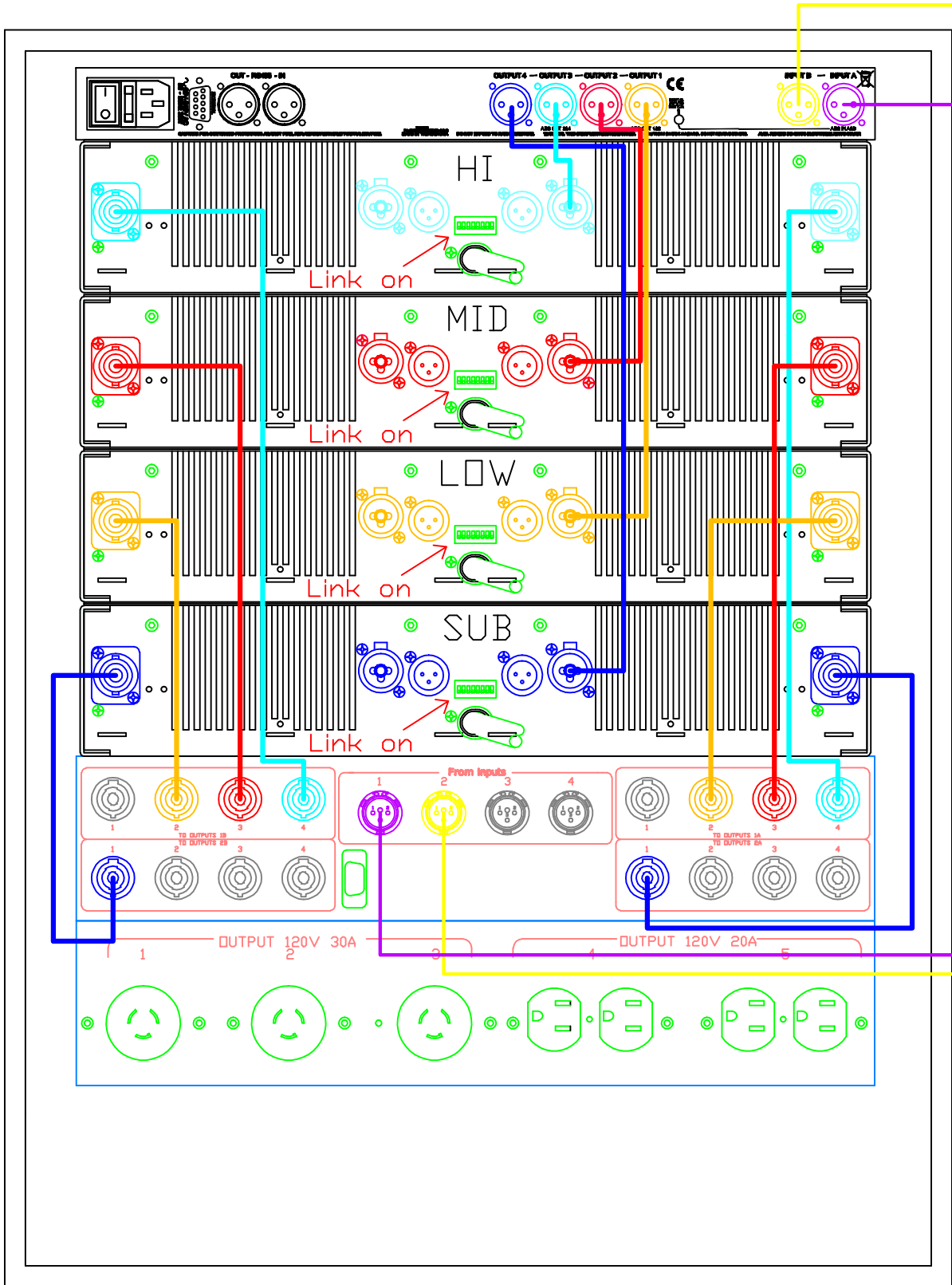


CHANGE	
DATE: July 25/2008	DRN: Ben
SCALE:	APPV'D:
DISK:	FILE:
PROJECT: Adamson Configuration	
DRAWING: 8 X Spek & 4 X Sub/NL8	
Dwg #:	Issue: 2



ADAMSON SYSTEMS ENGINEERING  
1401 Scugog Line 6  
Port Perry, ONTARIO, L9L 1B2  
TEL:(905)982-0520 FAX:(905)982-0609





DATE	CHANGE	Legend
DATE: March 3/2007	DRN: Jeff Danilko	High
SCALE:	APPV'D:	Mid
DISK:	FILE:	Low
PROJECT:		Sub
8 X Spek & 4 X Sub/NL8		XTA Input 1
DRAWING:		XTA Input 2
AID Configuration		
Rev / Issue: 1		



ADAMSON SYSTEMS ENGINEERING  
1401 Highway 100  
P.O. Box 2000, Chico, CA 95926  
TEL: (530) 893-2000 FAX: (530) 893-2000